

Mixer Tap GK

Mixer Taps

Code: 8488 000



DETAILS

Mixer type Single lever faucet with rotating barrel and flexible head.

Material Brass

Texture Chromed

Rotating angle 360°

Strengthening plate $\varnothing 62 \times 46 \text{ mm}$

Cartridge With ceramic discs

Mixer hole $\varnothing 35 \text{ mm}$

Notes: Mixer designed for the GK series of sinks.
The base of the GK mixer has an irregular shape. It is recommended to check the dimensions for combination with other sinks

Max worktop thickness 40 mm

FEATURES

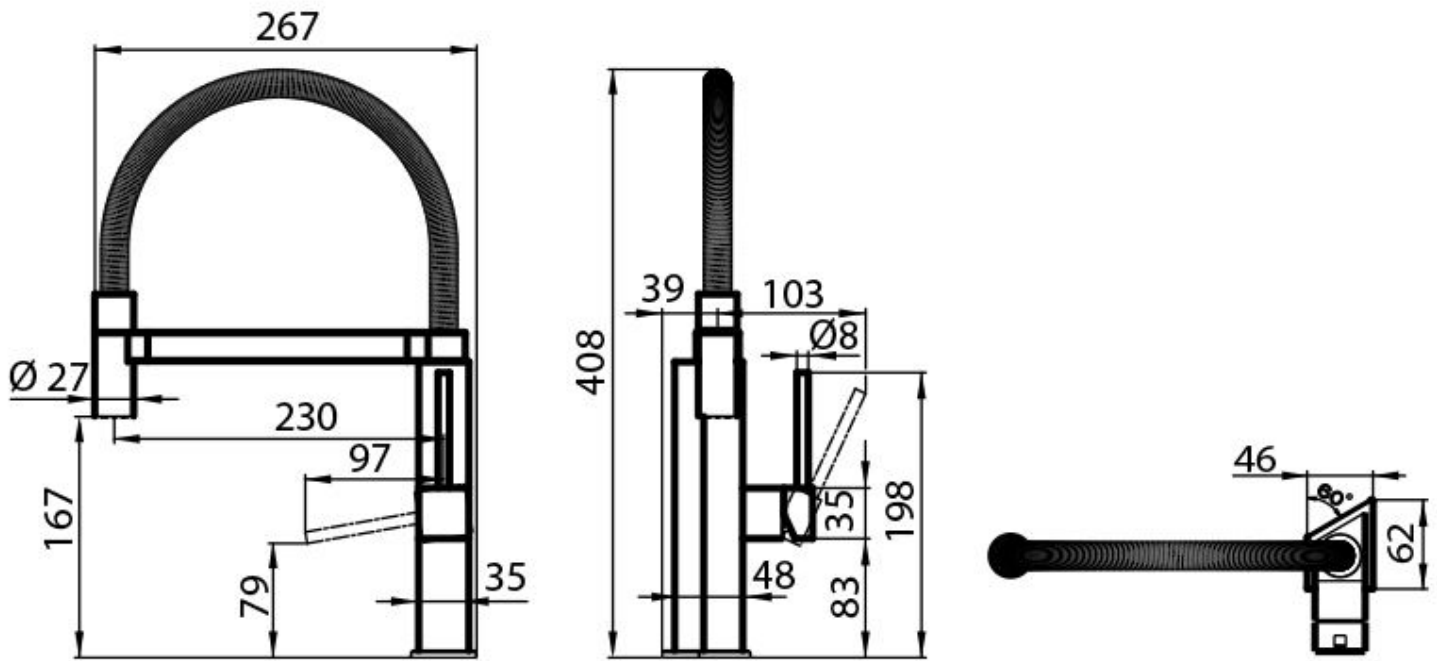
Rotating angle

All the taps have a wide angle of rotation. Some models even permit a full 360° rotation.

Strengthening plate

Foster's mixer taps are equipped with the strengthening plate that offers perfect stability on any sink.

TECHNICAL DATA



GALLERY

